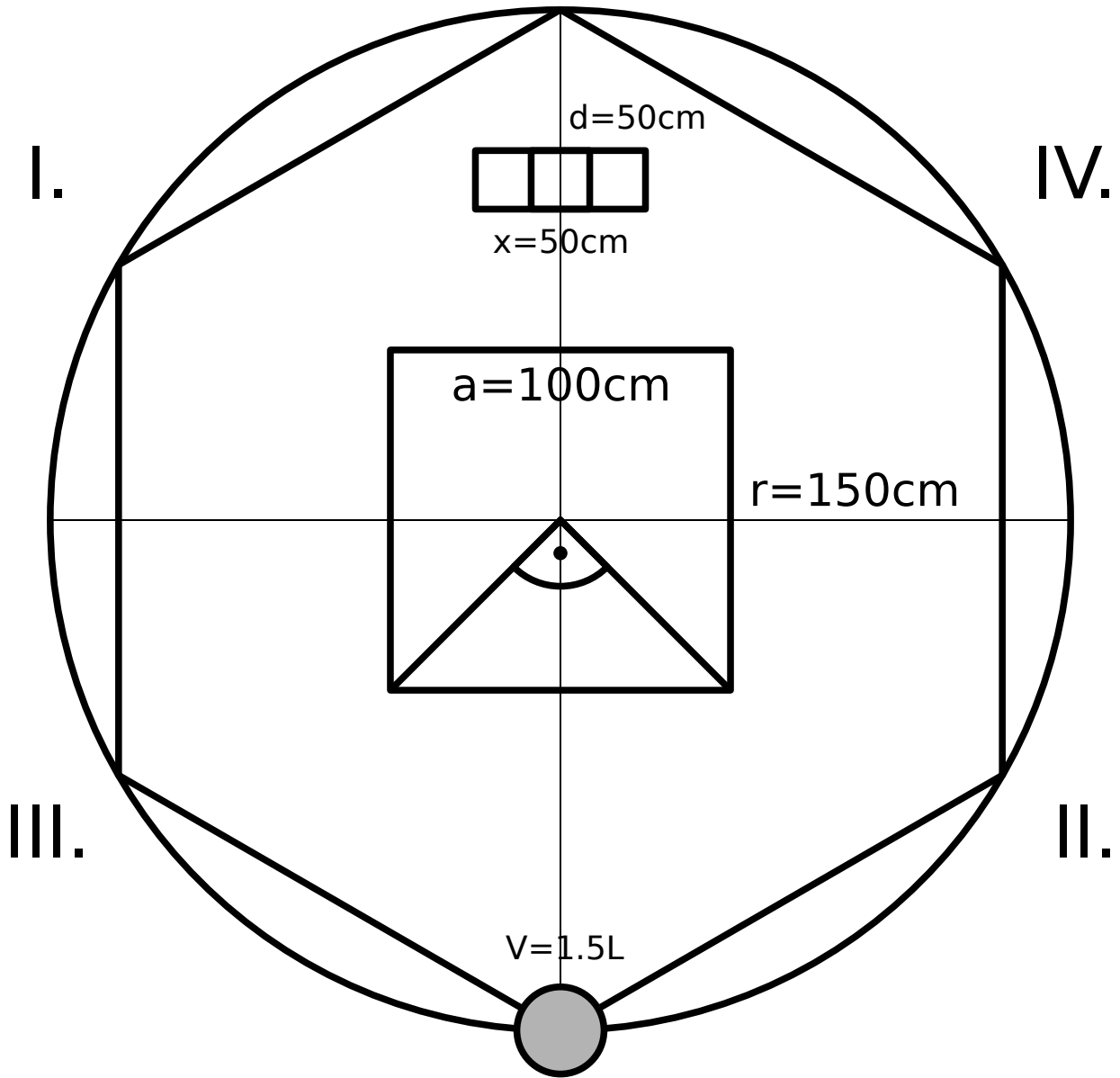


S

V.



$V = 1.5L$

IV.

1:20